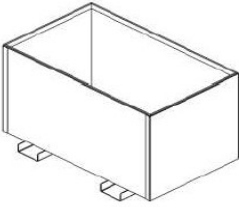
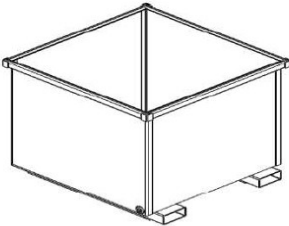
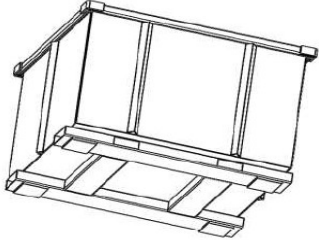


# E-Pak

## MANUFACTURING TOTES

Description		
		
<p>*10 gauge box            *1/4" x 2" flat bar top rail            *3/16" formed fork pocket</p>	<p>*3/16" and 1/4" box options            *1 1/2" x 3" Top rail            *4" X 8" X 1/4" Tube forklift pockets            *7"X 7" pads to interlock stacked totes</p>	<p>*3/16" and 1/4" box options            *1-1/2" x 3" Top rail            *4" X 8" X 1/4" Two-way tube forklift pockets            *2" x 2" x 1/4" side stiffners            *Side stiffners allow for fork alignment            *7" X 7" pads to interlock stacked totes</p>